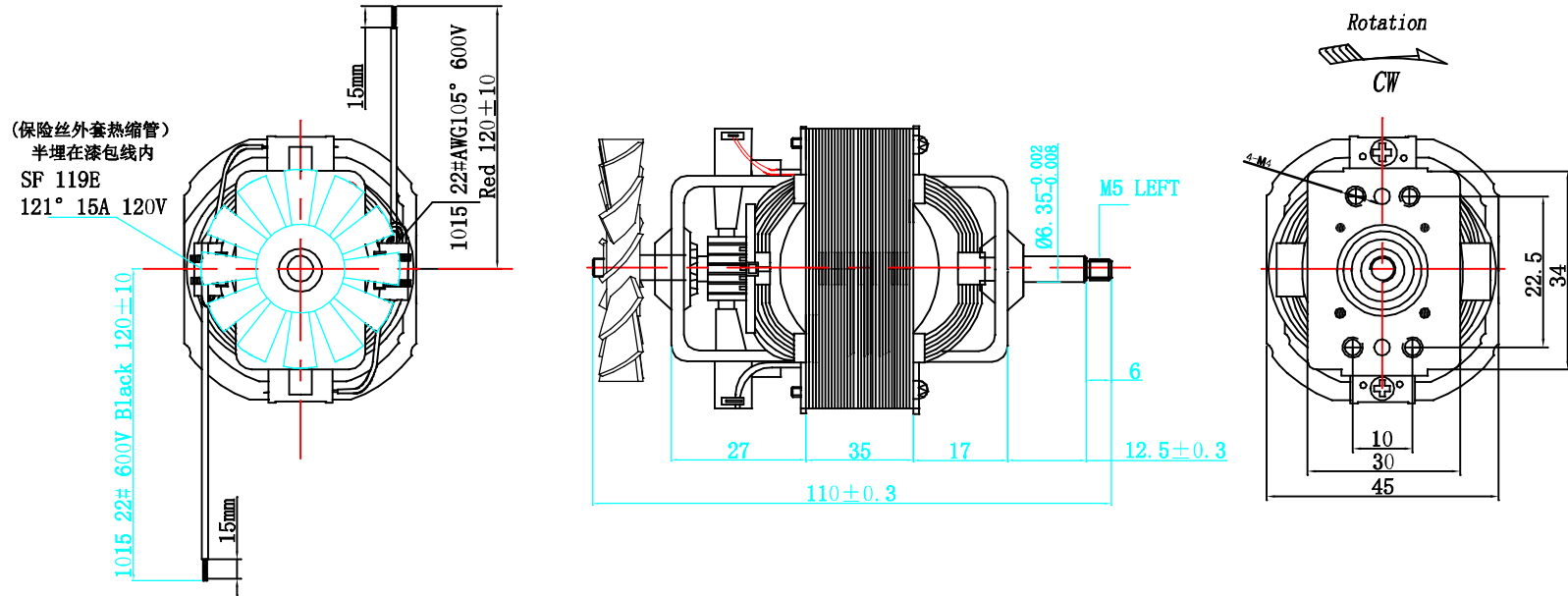


Rohs Compliance

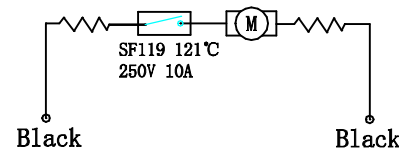
| REV | DESCRIPTION | DATE | BY |
|-----|-------------|------|----|
| | | | |
| | | | |
| | | | |



Notes:

1. Voltage with Frequency (电压和频率): 120V/60Hz
2. Rotation (转向): CW
3. No-load Performance (空载性能)
No-load Speed (空载转速): 21000±15%
4. No-load Current (空载电流): 1.36±15%
5. No-load Power (空载功率): 155±15%
6. On load Performance (负载性能)
On load Speed (负载转速):
On load Current (负载电流):
On load Power (负载功率):
7. Fuse or Thermostat (保险丝或者温控): SF119/121° /250V/10A
8. Temperature Rise (温升): 95°
9. Insulation Grade (绝缘等级): ClassB
10. Withstand Voltage (耐压): 1500V/1Ma/1Sec
11. Life (寿命):
12. Noise (噪音):

CIRCUIT DIAGRAM:



Label content:

OD-5435M120
120V/60Hz
MADE IN CHINA

| GENERAL TOLERANCES ISO 2768-m | |
|--|----------|
| Permissible deviations for linear dimensions | |
| Permissible deviations for basic size range | |
| >0.5 | >8 |
| ... 3 | ... 6 |
| ... 12 | ... 30 |
| ... 60 | ... 120 |
| ... 250 | ... 400 |
| ... 630 | ... 1000 |
| ... 2000 | ... 4000 |
| m | ±0.1 |
| ±0.1 | ±0.2 |
| ±0.2 | ±0.3 |
| ±0.3 | ±0.5 |
| ±0.5 | ±0.8 |
| ±0.8 | ±1.2 |
| ±1.2 | ±2 |
| Permissible deviations for angular dimensions | |
| Permissible deviations for broken edges (except radii/ chamfer heights) | |
| Permissible deviations for range of lengths in millimetre of the shorter side of the angle concerned | |
| ... 10 | >10 |
| ... 50 | >50 |
| ... 120 | >120 |
| ... 400 | >400 |
| ... 630 | >630 |
| ... 1000 | >1000 |
| ... 2000 | >2000 |
| ... 4000 | >4000 |
| m | ±1° |
| ±1° | ±0.2 |
| ±0.2 | ±0.5 |
| ±0.5 | ±1 |

| | | |
|---|----------------|----------------|
| DWN. BY | CHK. BY | APP. BY |
| Date (yyymmdd) | Date (yyymmdd) | Date (yyymmdd) |
| MATERIAL: | | |
| FINISH: | | |
| General Tolerance ISO 2768-1 Class m (Unless specified) | | |
| ALL DIMENSIONS ARE IN MILLIMETRES | | |
| SHENZHEN ODIN IMPORT AND EXPORT CO., LTD | | TITLE |
| DWG NO. | | OD-5435M12 |
| SHEET 1 OF 1 | | SCALE 3:1 |
| OD-5435M12 | | NOT SCALE |